

MAHLE Powertrain Jet Ignition® (MJI) - Active



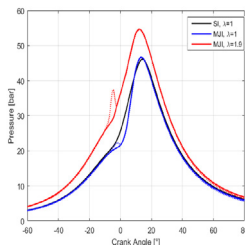
High Efficiency

Emissions Improvements

Knock Reduction



»» Injector & spark plug configuration in active system



»» Comparison of in-cylinder pressure at fixed engine load - MJI & SI engines

MAHLE Jet Ignition® (MJI) - Active

Combustion development is a key enabler to achieving future vehicle fuel economy and emissions targets. For many years, MAHLE Powertrain has been conducting advanced combustion research, culminating in the development of the MAHLE Jet Ignition® system.

Achievements

- Fast, stable combustion enabling extension of the stable lean limit of the engine ($\lambda > 2$ for gasoline, natural gas; $\lambda > 3$ for H^2)
- Knock mitigation due to rapid combustion & lean limit extension, enabling high compression ratio
- Whole map operation without the requirement for a 2nd ignition system in the main chamber
- Compatible with PFI or DI fueling
- MJI-enabled dilute combustion produces significant efficiency / fuel consumption benefit - translates across wide range of base engine technology levels

Contact Us:
Powertrain@mahle.com

MAHLE Powertrain Ltd
Costin House, St James Mill Road
Northampton, NN5 5TZ, UK
Tel. +44 (0)1604 738 000

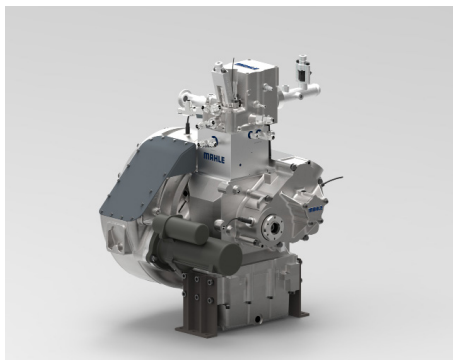
MAHLE ZG Transmissions
Georg-Kollmannsberger-Straße 3
85386 Eching, Germany
Tel. +49 89 18 94 169-0

MAHLE Powertrain LLC
14900 Galleon Court
Plymouth, MI 48170 USA
Tel. +1 734 738-52 01

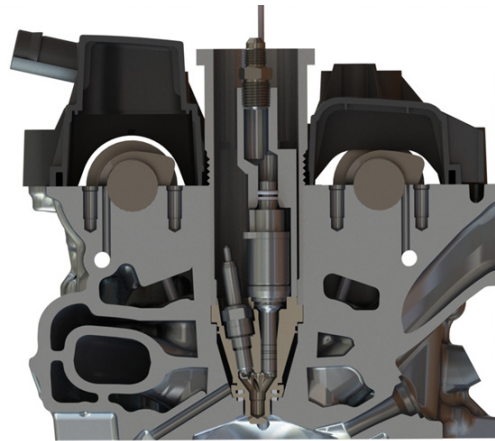
www.mahle-powertrain.com

Demonstrator Engine

- >42.5% BTE / < 200 g/kWh BSFC from a 1.5L 3-cylinder engine
 - › CR > 14:1
 - › Engine-out NOx < 100ppm
 - › Production boost system
- 20% increase in peak BTE over baseline
- Idle and catalyst heating capability & feed gas emissions equal to conventional central spark plug



>> Single cylinder genset engine using active MJl



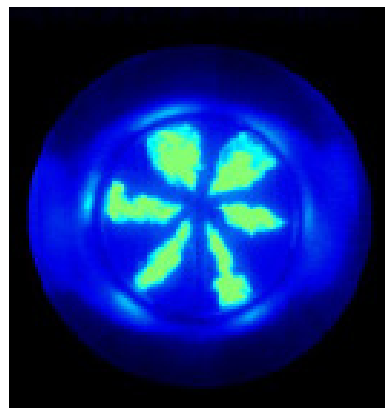
>> Cross section of active system

Applications

- Robustness demonstrated across multiple engine applications: passenger car, HD on-road & off-road, race-winning motorsport, small engine, CHP, alt fuel
- Enabling technology for safe, stable large-bore H² combustion
- Numerous multi-cylinder engine demonstrators produced for commercial partners & internal research
- Flexible operating strategies: fully dilute map, "dual-mode" lean + stoich, combustion mode-switching

Engineering Services

- Maximising Active MJl benefits requires both pre-chamber & combustion system optimisation
- Full range of inter-related engineering services to develop solutions:
 - › Design
 - › Combustion, performance & structural analysis
 - › Engine development & testing
 - › Transient & cold emission capabilities
 - › Calibration & controls



>> MJl optical image

Contact Us:
Powertrain@mahle.com

MAHLE Powertrain Ltd. 2021

MAHLE Powertrain GmbH
Einsteinring 5
85609 Aschheim, Germany
Tel. +49 89 962915-0

MAHLE Powertrain Ltd
13.210-877
Jundiaí / São Paulo, Brazil
Tel. +55 11 4589-0400

MAHLE Automotive Technologies
No. 1299 Huan Cheng Bei Road, Fengpu Industrial Park
201 401 Shanghai, Fengxian District, China
Tel. +86 21 5136-0595